



The CIO-DN-P module is a convenient, cost-effective DeviceNet™ interface device capable of providing discrete control and monitoring of motor starters, drives and other devices over a DeviceNet™ network.

The CIO-DN-P module provides four solid-state 24VDC inputs and two AC/DC rated relay outputs. The CIO-120-DN-P module provides four solid-state 120VAC inputs and two AC/DC rated relay outputs. Both models can function as a stand-alone I/O device or can be connected to any model 777-P series unit to relay real-time information and permit overload control over the network.

The CIO-DN-P module has flexible addressing standard and provides simple, inexpensive 5-pin pluggable connectors for connecting to the DeviceNet™ network.

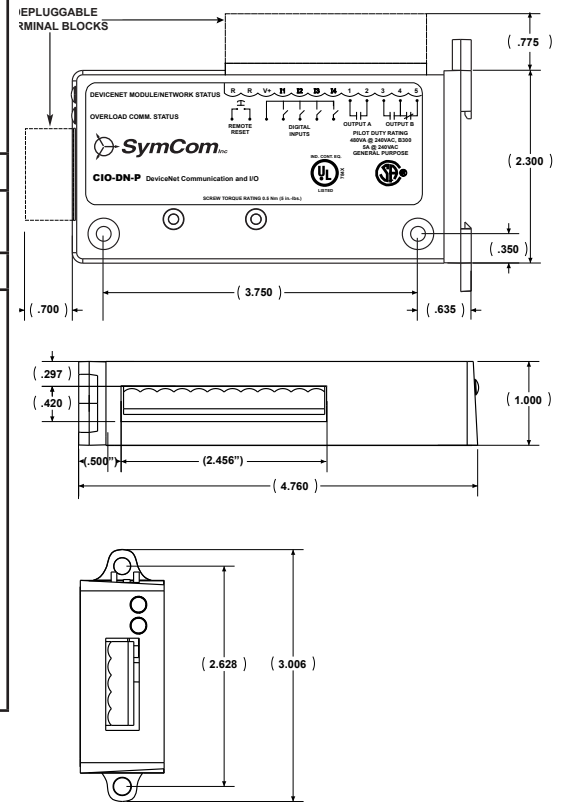
Features:

- Stand-alone I/O or use with 777-P series overload relays
- Four digital inputs
- One dedicated reset input
- Two Outputs
 - One Form C, SPDT
 - One Form A, SPST-NO
- Cyclical Messaging
 - Read real-time information:
 - Phase currents
 - Average current
 - Ground fault current
 - Phase voltages
 - Average voltage
 - Power factor
 - Input states
 - Thermal capacity
 - Restart timer states
 - Fault flags
- Network Control
 - Open/close output relays
 - Reset overload
 - Ease in system startup and commissioning
- Compact size; reduced field wiring
- DIN Rail or Surface Mountable
- Unit sets flush with side of 777-P series overload relays

Specifications

Input Characteristics	
Voltage (nominal)	24VDC
Maximum Current	137mA
Maximum Power	3.28 W
Digital Inputs	12-24VAC (CIO-DN-P) 90-130VAC, 50/60 Hz (CIO-120-DN-P)
Voltage Range	
Maximum Current	2mA (typical)
Remote Reset	24VDC, 10mA (minimum), NO pushbutton
Output Characteristics	
Form A & Form C contactors	480VA @ 240VAC, B300 Pilot Duty 5A @ 240VAC General Purpose
General Characteristics	
Temperature	-20° to 70°C (-4° to 158°F)
Relative Humidity	10-95%, non-condensing
Wire Gauge	Solid or Stranded 12 - 20AWG
Terminal Torque	3 in.-lbs.
Hi-Potential Test (Relays to other circuits)	(2 x rated V + 1000V for 1 minute)
EMC Standards	
Electrostatic Discharge (ESD)	IEC 61000-4-2, Level 3, 6kV contact, 8kV air
Radio Frequency Immunity, Radiated	150 MHz, 10V/m
Fast Transient Burst	IEC 61000-4-4, Level 3, 4kV input power
Safety Marks	
UL, ULC Listed	UL508 (File #E68520) C22.2 (File #46510)
CSA	
Enclosure	Polycarbonate
Dimensions	3.4" H x 1" W x 5" D (w/ depluggable connectors)
Weight	5 oz. (w/ depluggable connectors)
Mounting Methods	DIN Rail or surface mount (w/ two #8 screws)

Enclosure Dimensions



How to order:

Part Number: CIO-DN-P
CIO-120-DN-P



www.SymCom.com

...your electronic control & protection specialists

(605) 348.5580 / (800) 843.8848 / Fax (605) 348.5685
customerservice@symcom.com / technicalsupport@symcom.com